



The high-quality products, marked with the BULL-LIFTING logo, guarantee safety and reliability in all load carrying operations.

All products of the BULL-LIFTING brand are distinguished by the following:

1. Quality that is more than reliable and fully corresponds to the high requirements of the European and the International market.
2. TÜV certificate for correspondence with the European standards – all BULL-LIFTING products are carefully tested and strictly certified by the TÜV Rheinland group; the performed tests are both for the input materials and for the technical and quality parameters. Each BULL-LIFTING product comes with a relevant TÜV certificate, with recognizable CE marking and

corresponds to all European requirements.

3. Additional guarantee and high assurance for the client – thanks to the special “Product liability” insurance concluded with a leading International insurance company for all BULL-LIFTING products, all our clients receive even more reliability.
4. Patented and officially registered trademark.
5. Our own unique design.
6. Reliable after-sale service and available spare parts – all BULL-LIFTING products are secured with spare parts which can be delivered to the client; if necessary, the products can also be repaired in the specialized company service.
7. Environmental care – all BULL-LIFTING products are environmental friendly and all the packings can be recycled.

### CERTIFICATES



REGISTERED TRADE MARK

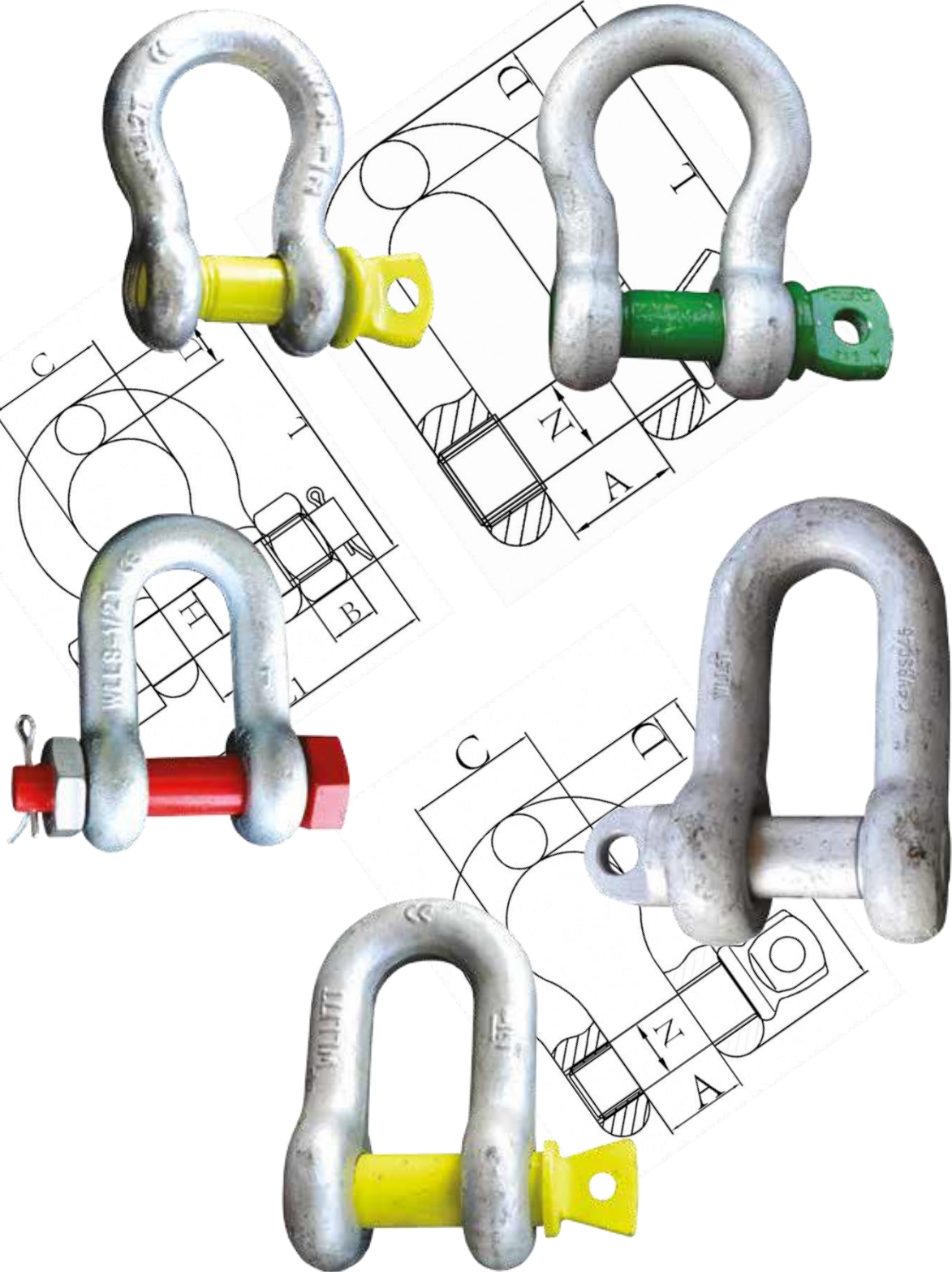


1. High-strength load chains and chain slings, grade 8 and 10;
2. Webbing and round slings;
3. Wire rope slings;
4. All kind of riggings – master links, hooks, shackles, connecting links, etc;
5. Vertical and horizontal lifting clamps;

6. Lever and chain hoists;
7. Ratchet load binders;
8. Lifting magnets;
9. Clamps for special purpose – drum clamps, concrete pipe clamps, steel pipe clamps with protection, beam clamps etc

### CERTIFICATES TÜV

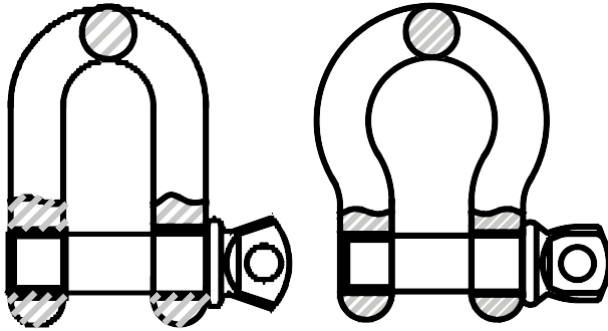




*Shackles*

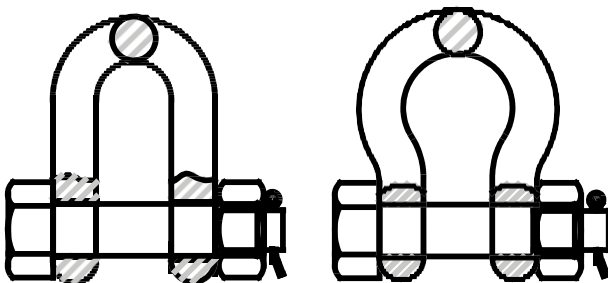
### SCREW TYPE SHACKLES, TYPE BULL 365 AND BULL 364

- Suitable mainly for single load and unload operations.
- By side loading, the WLL decreases!
- Before every lifting operation, the bolt must be tightened!



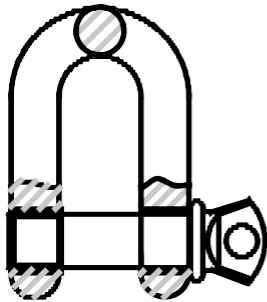
### BOLT TYPE SHACKLES, TYPE BULL 363 AND BULL 362

- Suitable for permanent and long-termed rigging, also for long load and unload operations.
- By side loading, the WLL decreases!
- The nut always has to be tightened and the safety pin – on its place!

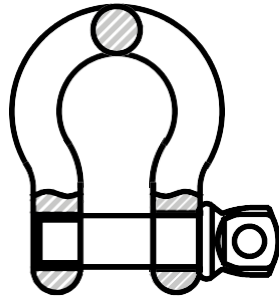


**Caution! Never exceed the shown WLL!**

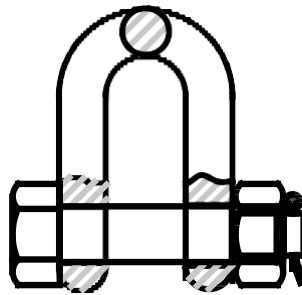
**SAFE WORK WITH SHACKLES**



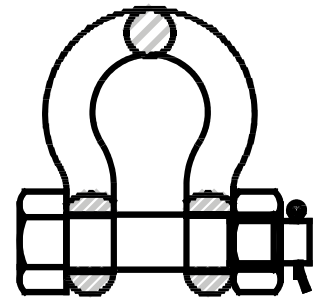
**BULL 363**



**BULL 362**

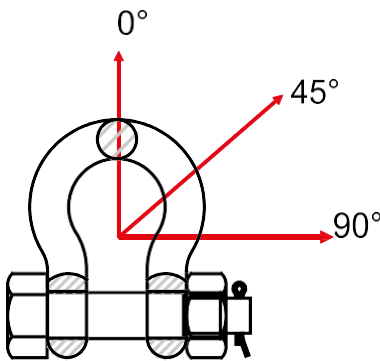


**BULL 365**



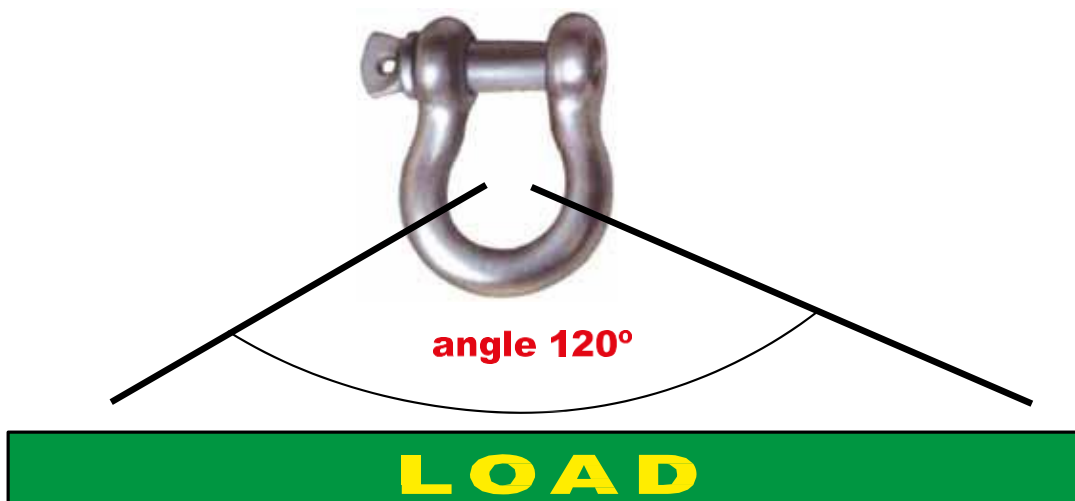
**BULL 364**

**BY SIDE LOADING, THE WLL DECREASES!**



SHACKLES BULL 362, BULL 363, BULL 364, BULL 365	
Working angle	WLL
0°	100%
0° – 45°	70%
45° – 90°	50%

**WHEN USING SHACKLES TYPE BULL 364 AND BULL 362 AS A MASTER LINK, THE MAXIMUM WORKING ANGLE IS 120°. NEVER EXCEED THIS WORKING ANGLE!**



**Caution! Never exceed the shown WLL!**

## HIGH-TENSILE D TYPE SCREW SHACKLES TYPE BULL 365

- These shackles are forged, with a heat-treatment and hardened
- The body of the shackle is made by carbon steel with galvanized surface
- The loading pin is made by alloy steel, painted
- Application: for single lifting operations

Safety capacity 6:1. The marking is mandatory.

Description	Mark
Size	3/8
WLL	1 T
Manufacturer	Bull
CE marking	CE
Batch Ne	14/1

Marking	Weight (kg)	WLL (T)	Breaking load (T)	A±1	D±0.5	L±2	N±0.2
Bull-365-1/4	0.05	0.5	3	12	6.35	40.4	7.5
Bull-365-5/16	0.08	0.75	4.5	13.5	8	48.5	9.5
Bull-365-3/8	0.13	1	6	16.8	9.7	58.5	11.5
Bull-365-7/16	0.19	1.5	9	19	11.2	67.6	13.4
Bull-365-1/2	0.27	2	12	20.6	12.7	77	15.5
Bull-365-5/8	0.57	3.25	19.5	27	15.5	95.5	19.5
Bull-365-3/4	1.19	4.75	28.5	32	20.6	116.6	21.5
Bull-365-7/8	1.43	6.5	39	36.6	24.6	135.5	24
Bull-365-1	2.15	8.5	51	43	25.4	151	29.2
Bull-365-1-1/8	3.06	9.5	57	46	31.75	172.2	29.5
Bull-365-1-1/4	4.10	12	72	51.6	35	190.5	35.7
Bull-365-1-3/8	5.28	13.5	81	57.2	38.1	210.3	39
Bull-365-1-1/2	7.22	17	102	60.5	41.1	230.1	39
Bull-365-1-3/4	12.13	25	150	73.2	53.8	278.6	48
Bull-365-2	19.19	35	210	82.6	50.8	321	56
Bull-365-2-1/2	32.55	55	330	105	66.5	377	67.5

The shown WLL is for vertical loading only

## HIGH-TENSILE D TYPE BOLT SHACKLES, WITH NUT AND SAFETY PIN, TYPE BULL 363

- These shackles are forged, with a heat-treatment and hardened
- The body of the shackle is made by carbon steel with galvanized surface
- The loading pin is made by alloy steel, painted
- The nut is galvanized
- Application: for permanent or long term rigging operations

Safety capacity 6:1. The marking is mandatory.

Description	Mark
Size	3/8
WLL	1 T
Manufacturer	Bull
CE marking	CE
Batch Ne	14/1

Marking	Weight (kg)	WLL (T)	Breaking load (T)	A±1.2	D±0.5	N±0.2	L±2	L1±0.5	B
Bull-363-3/16	0.01	0.33	1.98	9.7	4.8	7	34.15	32	3.2
Bull-363-1/4	0.05	0.5	3	11.9	6.4	8	40.4	40	4
Bull-363-5/16	0.10	0.75	4.5	13.5	8	9.7	48.5	48.4	5
Bull-363-3/8	0.15	1	6	16.8	9.7	11.2	58.7	57.8	6
Bull-363-7/16	0.22	1.5	9	19	11.2	12.7	67.8	65.9	7
Bull-363-1/2	0.34	2	12	20.6	12.7	16.3	77	73.7	8
Bull-363-5/8	0.67	3.25	19.5	27	16	20	95.5	94	10
Bull-363-3/4	1.14	4.75	28.5	32	20.6	22.6	115	108.7	10
Bull-363-7/8	1.75	6.5	39	36.6	24.6	25.9	135.4	127.8	12
Bull-363-1	2.52	8.5	51	43	25.4	29.2	151	145.8	13.5
Bull-363-1-1/8	3.40	9.5	57	46	31.75	31.8	172.2	163.7	15
Bull-363-1-1/4	4.90	12	72	51.6	35	35.6	190.5	178.4	18
Bull-363-1-3/8	6.24	13.5	81	57.2	38.1	38.9	210.3	188.3	19
Bull-363-1-1/2	8.39	17	102	60.5	41.2	42.2	230	211	20
Bull-363-1-3/4	14.24	25	150	73.2	53.8	51.8	278.7	281.6	39
Bull-363-2	21.20	35	210	82.6	59.9	58.4	323.6	313.5	46
Bull-363-2-1/2	38.55	55	330	105	66.8	71.1	377.2	375	58
Bull-363-3	56.35	85	510	127	90	82.6	428.5	444.4	64

The shown WLL is for vertical loading only

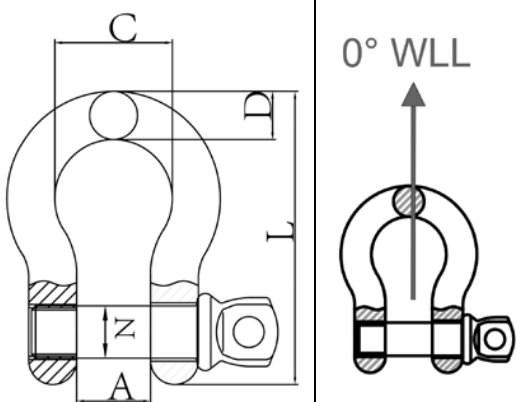
**Caution! Never exceed the shown WLL!**

## HIGH TENSILE OMEGA TYPE/BOW/ SCREW SHACKLE TYPE BULL 364

- These shackles are forged, with a heat-treatment and hardened
- The body of the shackle is made by carbon steel with galvanized surface
- The loading pin is made by alloy steel, painted
- Application: for single loading operations

Safety capacity 6:1. The marking is mandatory.

Description	Mark
Size	3/8
WLL	1 T
Manufacturer	Bull
CE marking	<b>CE</b>
Batch №	14/1

	Marking	Weight (kg)	WLL (T)	Breaking load (T)	A±1.2	C±1.2	D±0.5	N±0.2	L±2
	Bull-364-3/16	0.03	0.33	1.98	9.65	15.3	4.8	6	37.5
Bull-364-1/4	0.05	0.5	3	12	19.8	6.4	7.5	46.8	
Bull-364-5/16	0.09	0.75	4.5	13.5	21.4	8	9.5	53	
Bull-364-3/8	0.14	1	6	16.8	26.2	9.7	11.5	63.2	
Bull-364-7/16	0.17	1.5	9	19.1	29.5	11.2	13.4	78	
Bull-364-1/2	0.33	2	12	20.6	33.3	12.7	15.5	83.3	
Bull-364-5/8	0.62	3.25	19.5	27	42.9	16	19.5	106.5	
Bull-364-3/4	1.07	4.75	28.5	32	50.8	20.6	21.5	126.5	
Bull-364-7/8	1.64	6.5	39	36.6	58	24.6	24	148	
Bull-364-1	2.28	8.5	51	43	68.4	27	26.5	167	
Bull-364-1-1/8	3.36	9.5	57	46	74	31.8	29.5	190	
Bull-364-1-1/4	4.31	12	72	51.6	82.6	35	35.7	209.6	
Bull-364-1-3/8	6.14	13.5	81	57.2	92.2	38.1	39	232.7	
Bull-364-1-1/2	7.80	17	102	60.5	98.6	41	39	254	
Bull-364-1-3/4	12.60	25	150	73.2	127	57	48	313.5	
Bull-364-2	20.41	35	210	82.6	146	61	56	347.5	
Bull-364-2-1/2	38.90	55	330	105	184.2	79.5	67.5	453.2	

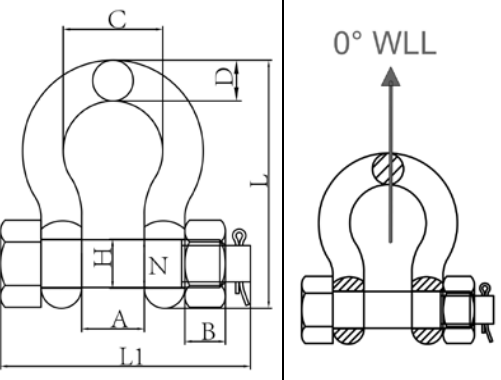
The shown WLL is for vertical loading only

## HIGH TENSILE OMEGA TYPE/BOW/ BOLT SHACKLE WITH NUT AND SAFETY PIN, TYPE BULL 362

- These shackles are forged, with a heat-treatment and hardened
- The body of the shackle is made by carbon steel with galvanized surface
- The loading pin is made by alloy steel, painted
- The nut is galvanized
- Application: for permanent or long term rigging

Safety capacity 6:1. The marking is mandatory.

Description	Mark
Size	3/8
WLL	1 T
Manufacturer	Bull
CE marking	<b>CE</b>
Batch №	14/1

	Marking	Weight (kg)	WLL (T)	Breaking load (T)	A±1.5	C±1.5	D±1	L±3	H	+2 0	N	L±0.5	B
	Bull-362-3/16	0.03	0.33	1.98	9.7	15.3	4.8	37.5	7	6	32	3.2	
Bull-362-1/4	0.05	0.5	3	11.9	19.8	6.35	46.8	8.7	7.5	40	4		
Bull-362-5/16	0.10	0.75	4.5	13.5	21.4	8	53	11.5	9.5	48.4	5		
Bull-362-3/8	0.15	1	6	16.8	26.2	9.7	63.3	13	11.2	58.8	6		
Bull-362-7/16	0.22	1.5	9	19	29.5	11.2	78	15	13.4	65.9	7		
Bull-362-1/2	0.46	2	12	20.6	33.3	12.7	83.3	17	15.2	73.7	8		
Bull-362-5/8	0.73	3.25	19.5	27	42.9	17.5	106.5	21	19	94	10		
Bull-362-3/4	1.10	4.75	28.5	32	50.8	20.6	126.5	23.5	21.2	108.7	10		
Bull-362-7/8	1.79	6.5	39	36.6	58	24.6	148.1	26.5	24	127.8	12		
Bull-362-1	2.57	8.5	51	43	68.4	27	166.6	29.5	27	145.8	13.5		
Bull-362-1-1/8	3.75	9.5	57	46	74	31.75	190	32	30	160.6	15		
Bull-362-1-1/4	5.31	12	72	51.6	82.6	35	209.6	38.5	36	181.4	18		
Bull-362-1-3/8	7.18	13.5	81	57.2	92.2	38.1	232.7	41	39	188.3	19		
Bull-362-1-1/2	9.43	17	102	60.5	98.6	41.2	254	41.5	39	211	20		
Bull-362-1-3/4	15.38	25	150	73.2	127	57.2	313.5	50.5	48	281.6	39		
Bull-362-2	23.70	35	210	82.5	146	61	347.5	58.5	56	311	46		
Bull-362-2-1/2	44.56	55	330	105	184.2	79.5	453.2	70.5	68	403	58		
Bull-362-3	69.85	85	510	127	200.2	92	546	82.5	80	476	64		

The shown WLL is for vertical loading only

**Caution! Never exceed the shown WLL!**



**Webbing slings**



**Chain slings**



**Wire rope slings**



**Clamps**



**Chain and lever hoists**



**Magnets**



**Hooks**



**Master links and shackles**



**Lifting points and wire rope clips**



**BILION TRADE**  
Move the World with us!

Internet: [www.biliontrade.eu](http://www.biliontrade.eu)

office: **Bilion trade FM s.r.o.**  
Panské Nové Dvory 2461  
738 01 Frýdek-Místek, Czech Republic  
email: [info@biliontrade.eu](mailto:info@biliontrade.eu)  
tlf: +420 733 577 274



Internet: [www.bull-lifting.com](http://www.bull-lifting.com)